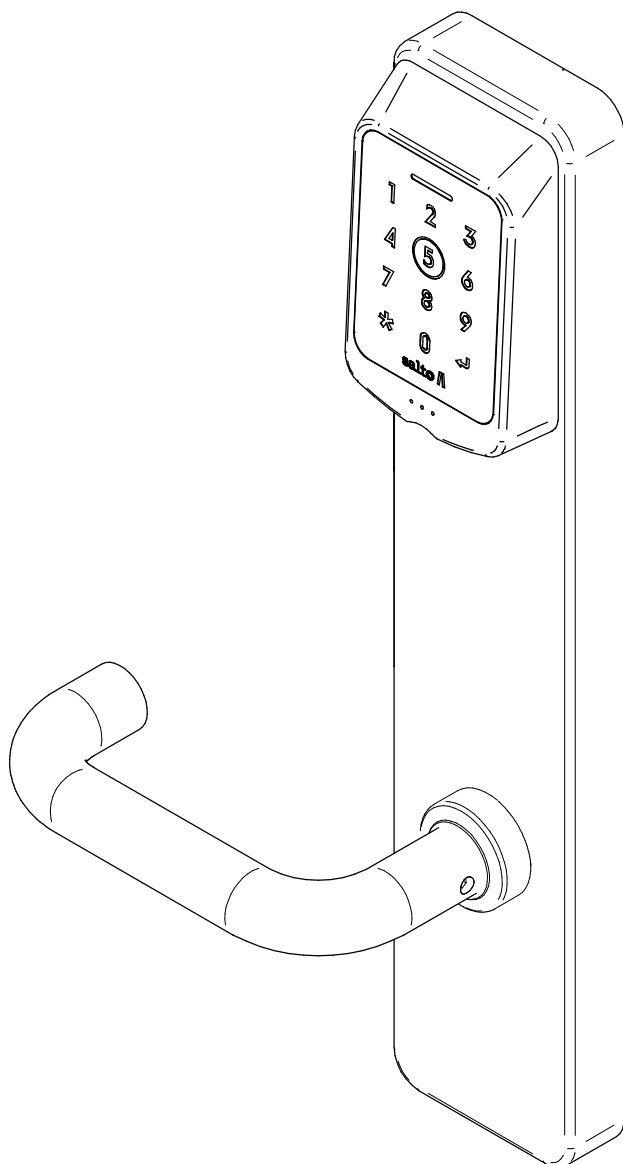
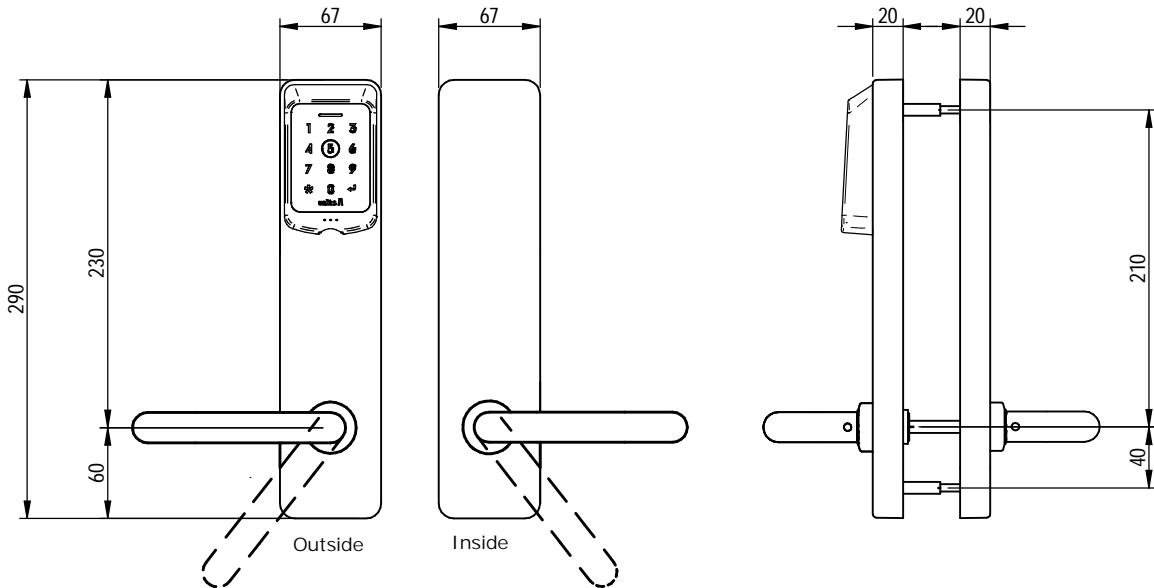






XS4 One S Surface for Scandinavian modular mortise locks



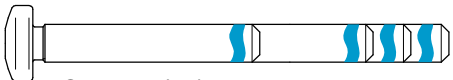
The Salto XS4 One S wide body version is designed to fit most Scandinavian profile doors and mortise locks standards. Easy to install and retrofit, it can replace your existing door hardware and fits any door with a broad range of different models and functions. The XS4 One S incorporates the latest BLUEnet wireless and mobile credentials technology to accommodate access control needs of both today and tomorrow.

S i 950 xxK series




S i 9xx.. series		S i 9xx..E5 series	
OUTSIDE	INSIDE	OUTSIDE	INSIDE
			

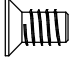
For more information
CLICK HERE


TORX 20 (x2)




TORX 20 (x1)



TORX 20 (x4)

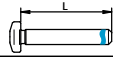
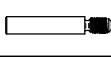


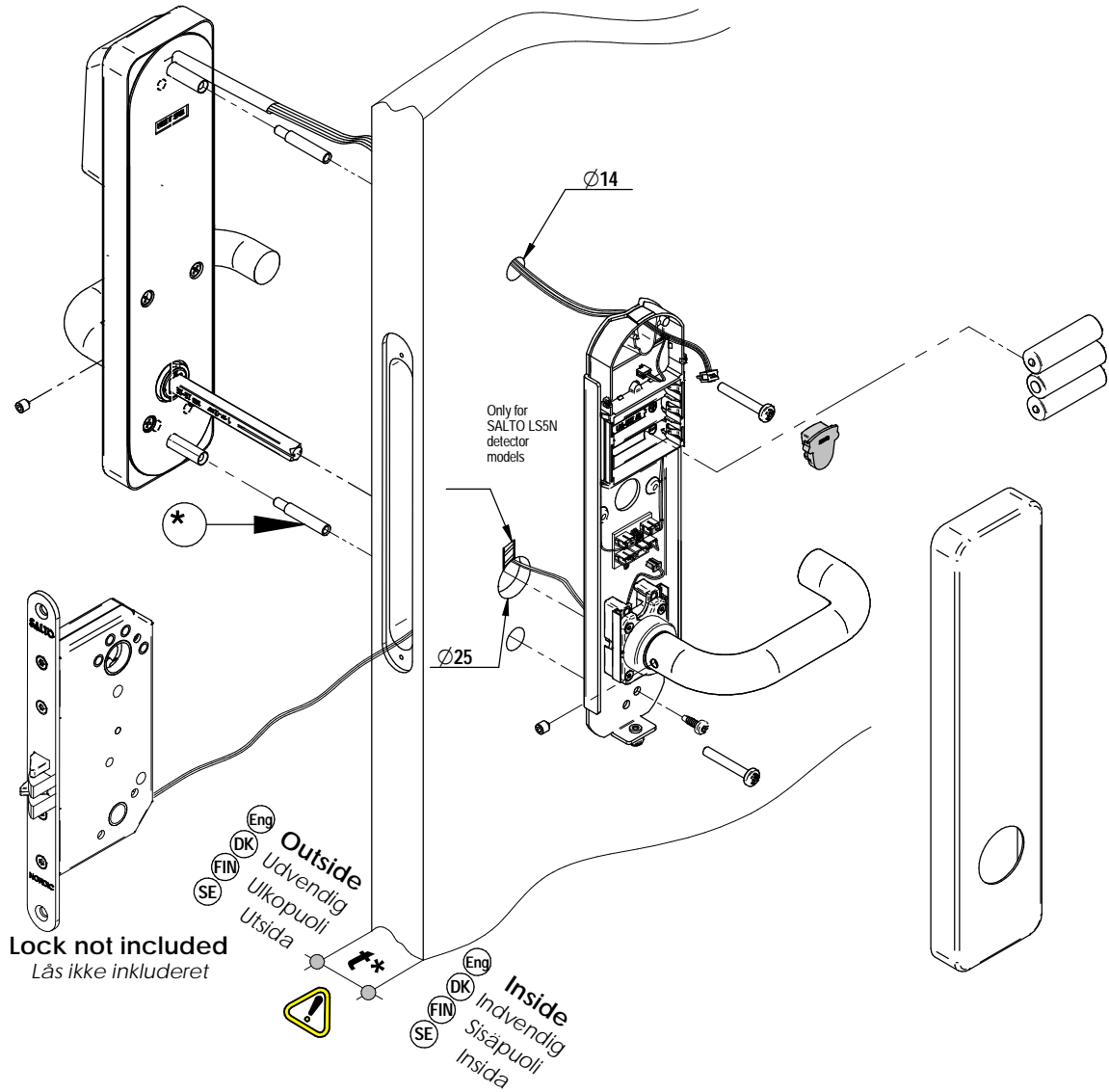
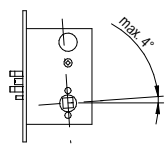
ALLEN 3 (x2)



BOLT *
(Depending on door thickness)

i

	t Door thickness		
3	32 - 47mm	35 mm	-
4	45 - 60 mm	50 mm	-
6	60 - 75 mm	30 mm	x2
7	75 - 90 mm	45 mm	x2
9	90 - 105 mm	30 mm	x4
1	105 - 120 mm	45 mm	x4

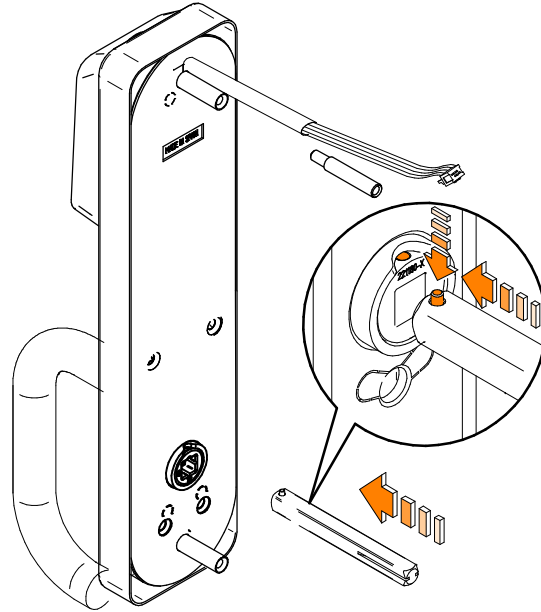
SALTO recommends the use of a mortise lock, with a maximum 4° pre-turn.
Salto anbefaler ved brugen af indstukne lås at der max er 4° forskydning.



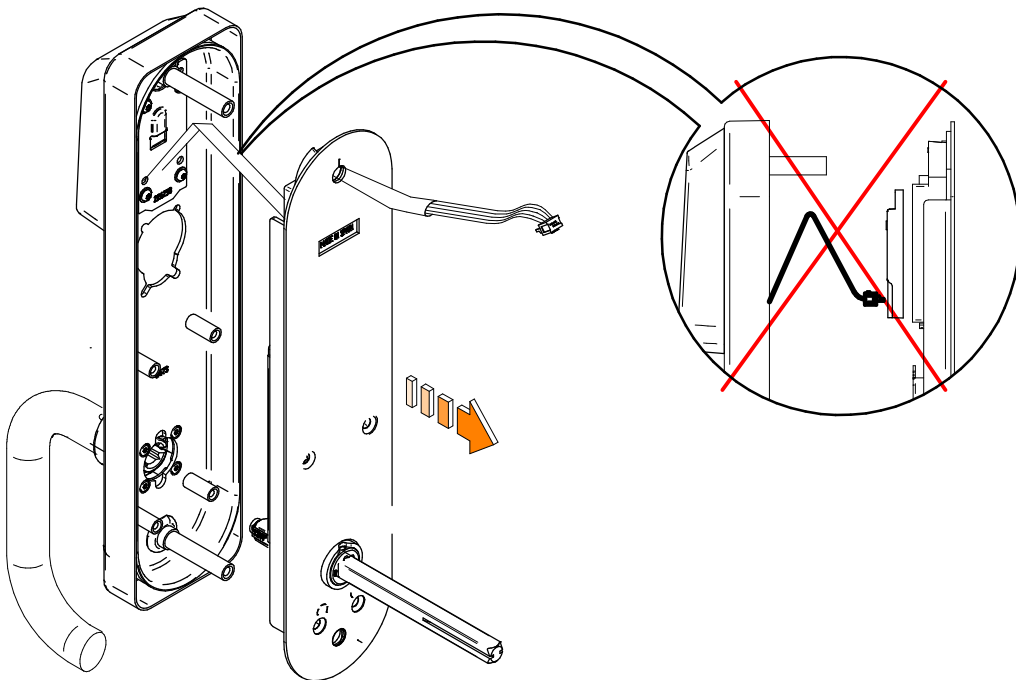
- * Required only for doors that exceed 60mm thickness.
- * Skal kun anvendes på døre hvor tykkelse er mere end 60mm.
- * Oville jotka vahvempia kuin 60 mm
- * Behövs endast för dörrar som är tjockare än 60mm

(Eng) Select handing **(DK)** VÆlg retning for greb **(FIN)** Valitse kätisyys **(SE)** Välj höger / vänster

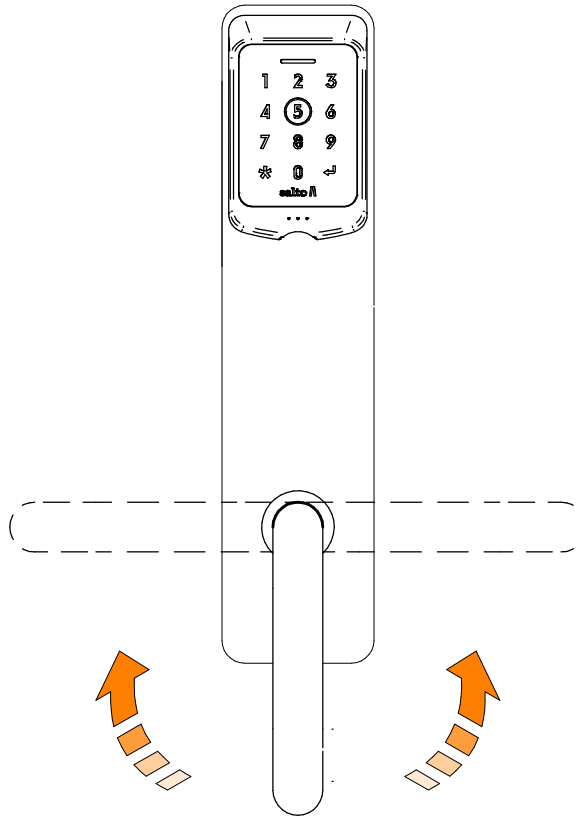
1



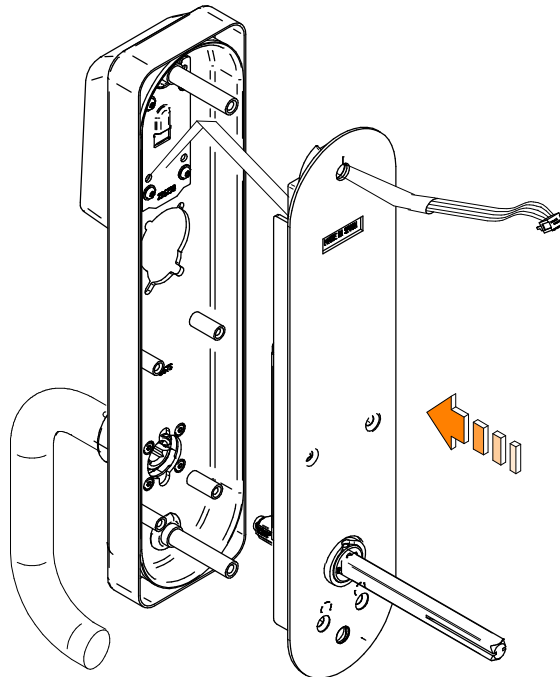
2



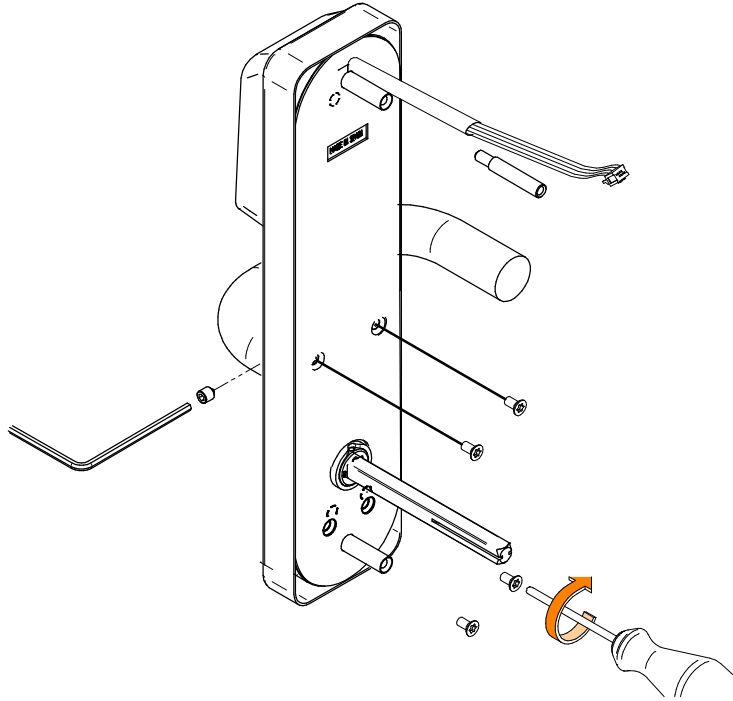
3



4



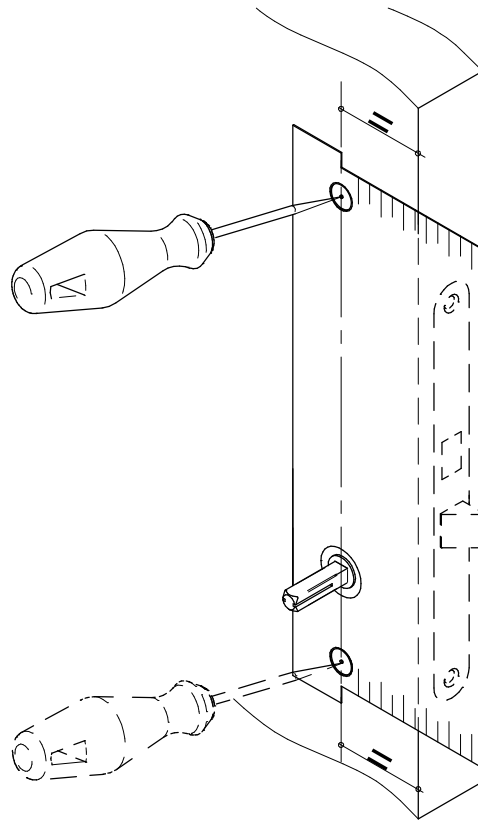
5



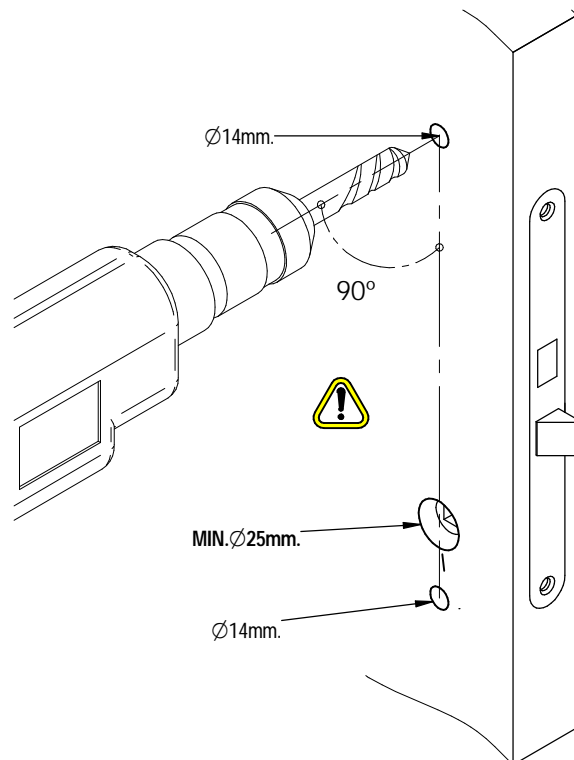
E5 models
CLICK
HERE


Eng Installation **DK** Installation **FIN** Asennus **SE** Installation

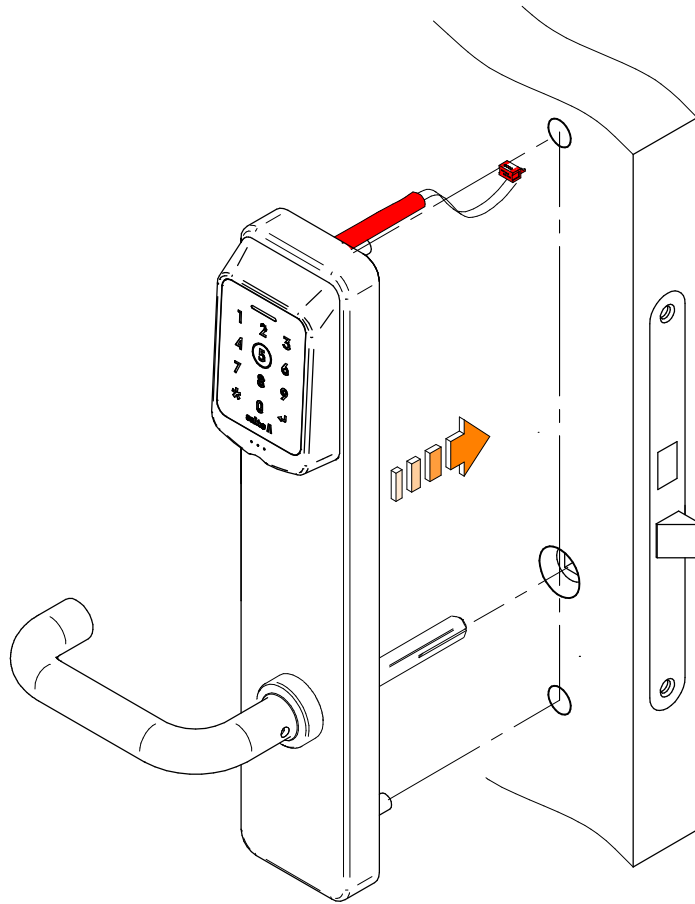
1



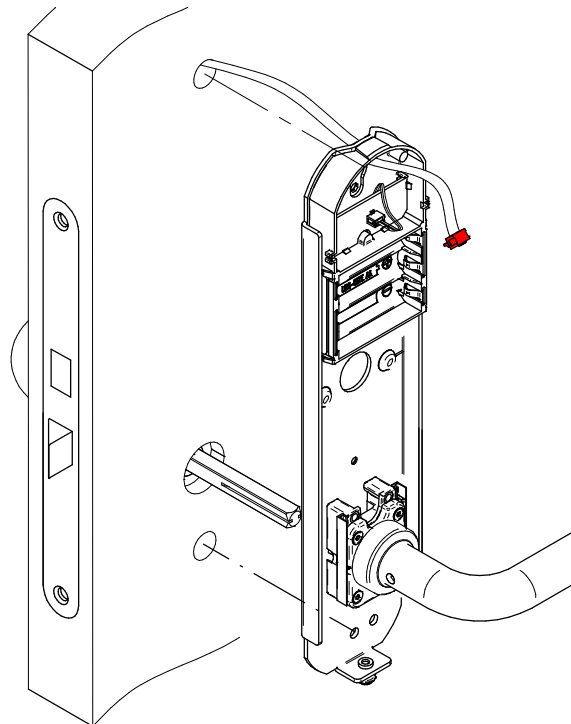
2



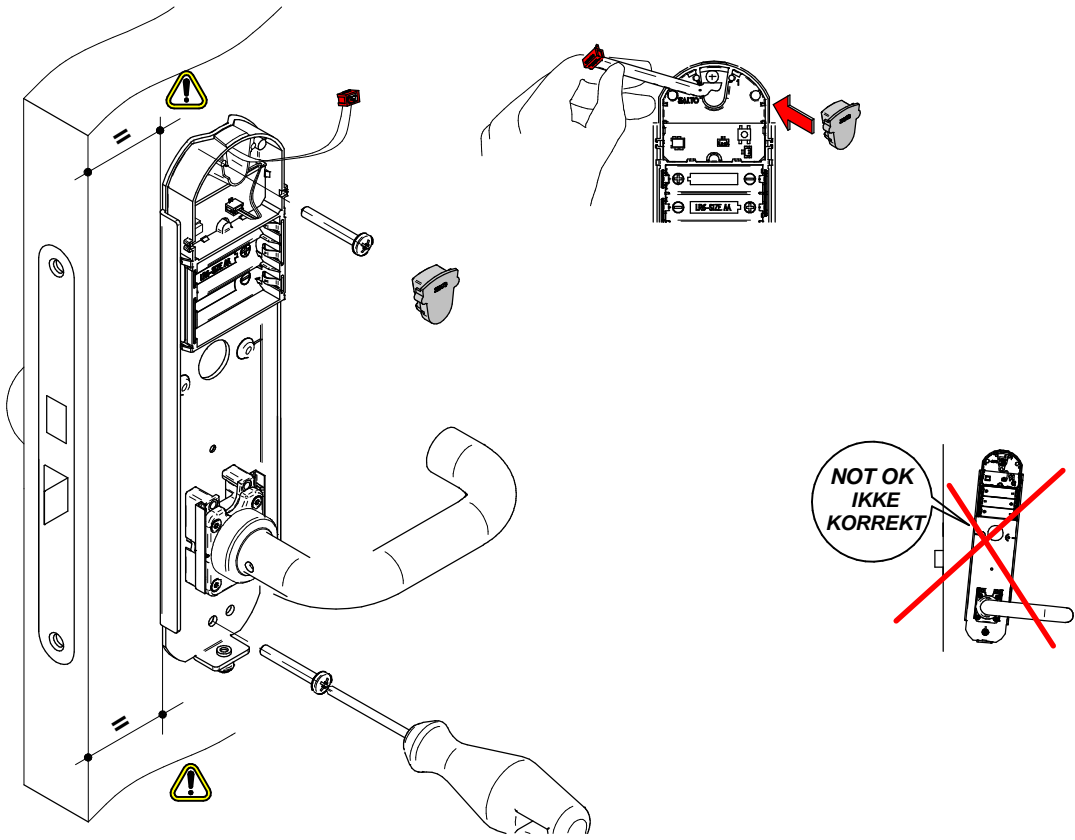
3



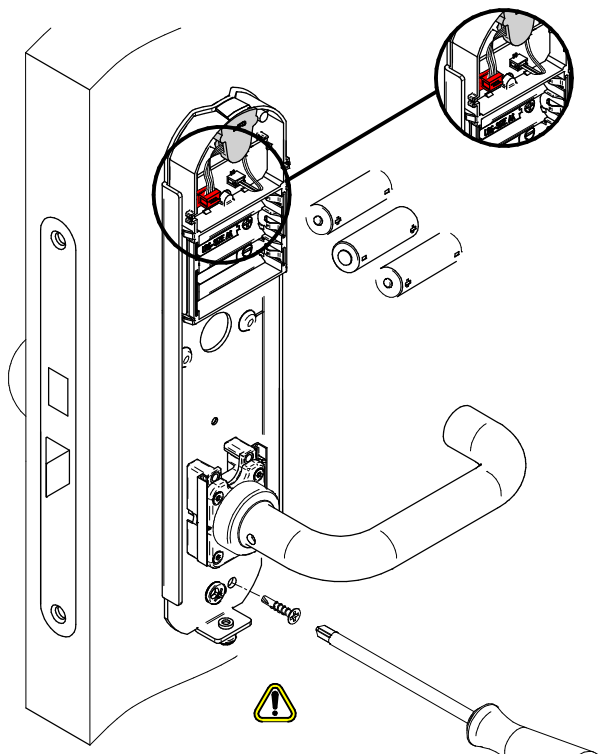
4



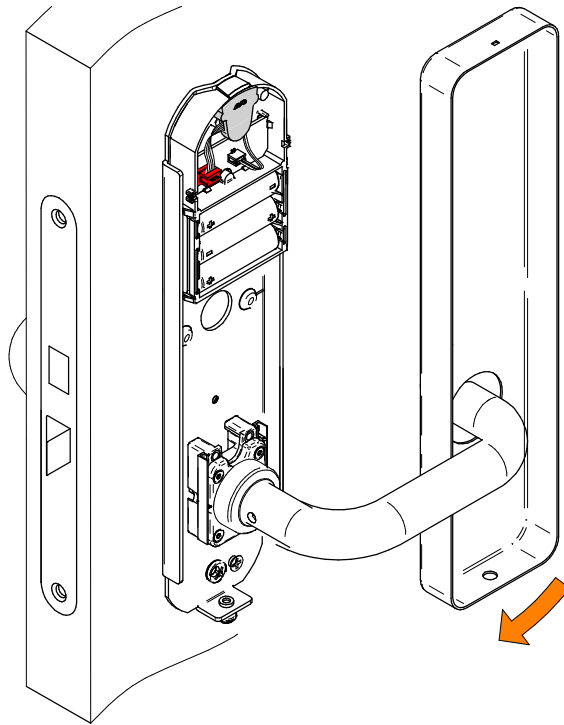
5



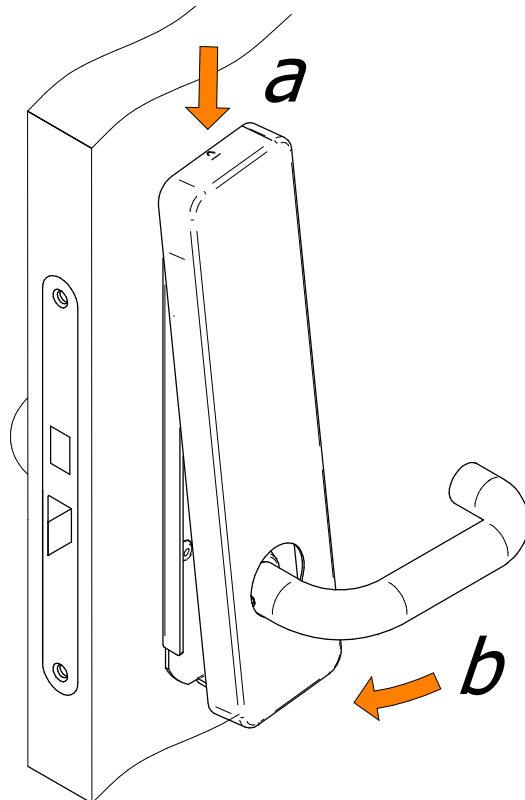
6



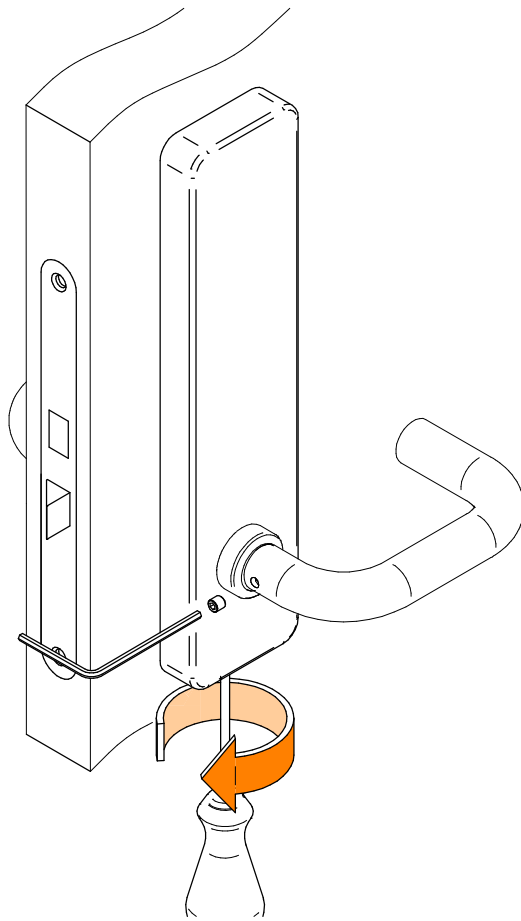
7



8



9



AT THIS POINT DO NOT CLOSE
THE DOORPROGRAM THE LOCK
FIRST

LUK IKKE DØREN FØR
LÅSEN ER TESTET

TESTAA TASSA VAIHEESSA
LUKKO ENNEN KUIN SULJET
OVEN

STÅNG INTE DÖRREN,
TESTA LÅSET FÖRST

Eng Battery change **DK** Batteri udbytte **FIN** Akku Korvaaminen **SE** Batteri utbytte **LR06**

